

SERVICE INFORMATION

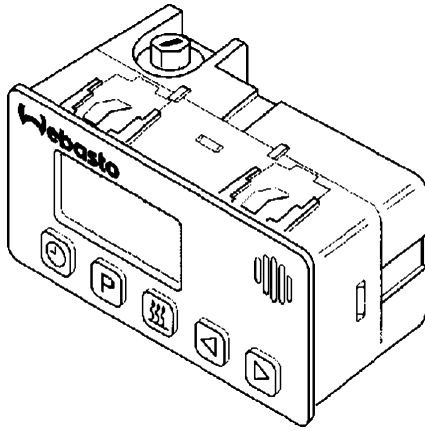
3333 John Conley Dr., Lapeer, Michigan 48446 (810) 245-2400
4450 Mainway, Burlington, Ontario L7L 5Y5 (905) 335-4143



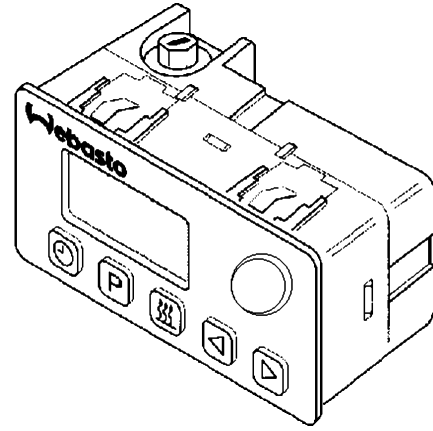
Product(s) **7-Day Digital Comfort & Combi Timer
Model 1531 Features**

Form # 907609

Date 02/15/00



**Comfort Timer with Alarm Feature
for Thermo Series Coolant Heaters**



**Combi Timer with Temperature
Control Feature for Air Top Heaters**

**NOTE: All other heater models require an additional relay with 1531 timers
(please contact Webasto Technical at 1-800-555-4518 for further information)**

Part Numbers

Comfort Timer for Coolant Heaters	905797 (12V) 907798 (24V) 906108A (12V TSL 17 Only)
Combi Timer for Air Heaters	88206A (12V) 88205A (24V)

Features

The Comfort/Combi digital timers enable you to preset the heater start of operation time up to 7 days in advance. It is possible to program 3 different starting times, of which only one can be activated at any given time. The Comfort digital timer features a wake up alarm function while the Combi digital timer has a built in temperature controller. The Combi timer with temperature control, is designed for use on AT-2000/3500/5000 air heaters. The Comfort Timer is designed for use on the Thermo Series coolant heaters. Both timers can be electrically connected so that whenever the ignition is switched off while the heater is operating in "constant on" continuous mode, it will automatically shut off after 15 minutes. On heaters equipped with a fault diagnostics system, the error code will be displayed on the timer in the event of any operational failure.

Pg. 1 of 2

SERVICE INFORMATION

3333 John Conley Dr., Lapeer, Michigan 48446 (810) 245-2400
4450 Mainway, Burlington, Ontario L7L 5Y5 (905) 335-4143



Product(s) **7-Day Digital Comfort & Combi Timer**
Model 1531 Features

Form # 907609

Date 02/15/00

Technical Information

- Rated Voltage: 12 / 24V
- Voltage Range 12V: 9 – 15V
- Voltage Range 24V: 20 – 30V
- Switched Output: 600 mA (some heaters require additional relay)
- Operating Temp: – 40° ... +167 °F
– 40° ... +75 °C
- Installation Dimensions: (L x W x H) 3.5" x 1.5" x 2.0" (89mm x 40mm x 51mm)

Wiring Diagram

