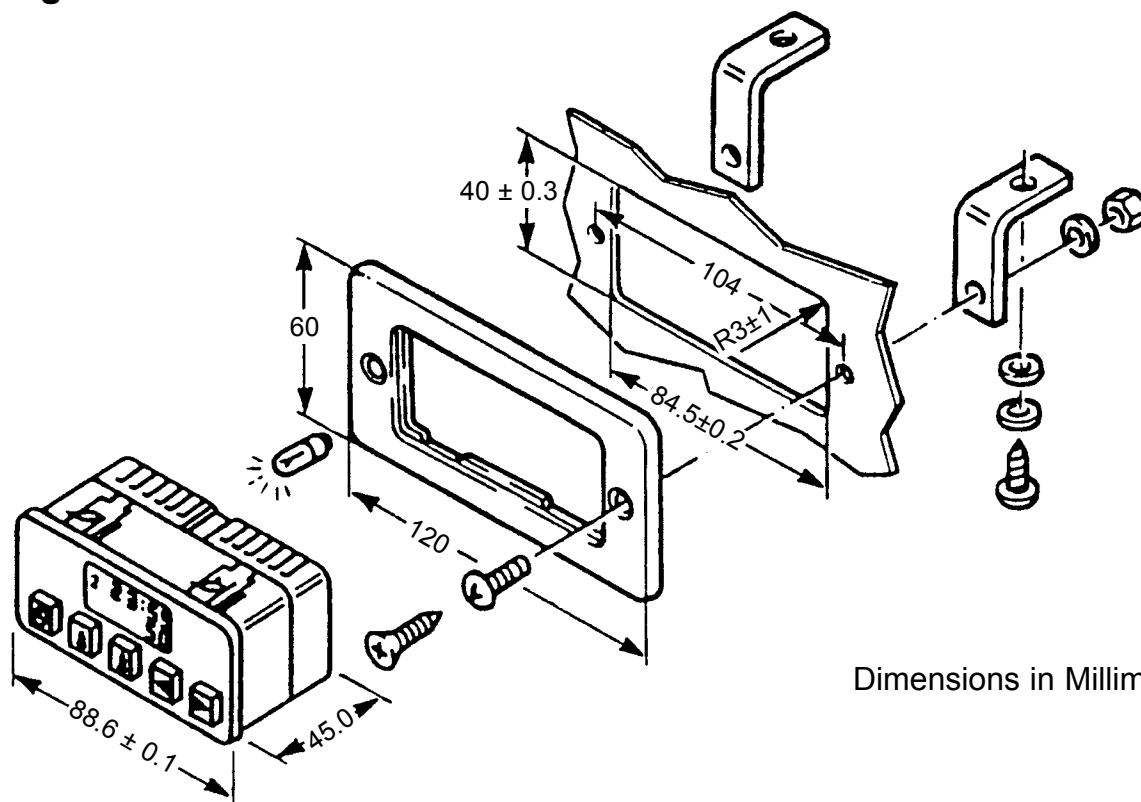


Mounting Instructions:



Dimensions in Millimeters

Dashboard thickness min: 1.5 mm

max: 3.0 mm

The timer can be mounted directly in the dashboard.

Dashboard thickness over 3.0 mm:

The timer must be mounted with the Webasto Mounting Frame # 474630

Part Numbers for Individual Components:

7-Day Triple Program Digital Timer Model 1529 12-Volt 82774A

7-Day Triple Program Digital Timer Model 1529 24-Volt 82775A

Adapter Harness 905778

Part Numbers for Timer Kits - includes Adapter Harness:

7-Day Triple Program Digital Timer Model 1529 12-Volt 905770

7-Day Triple Program Digital Timer Model 1529 24-Volt 905774

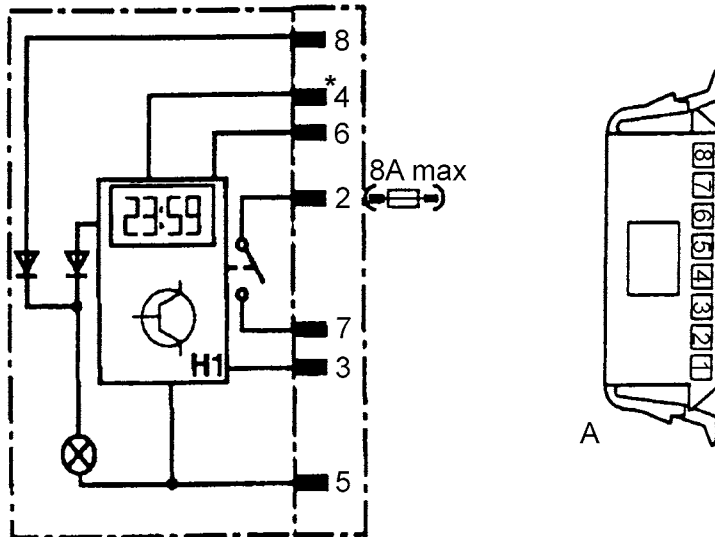
Installation Instructions

7-Day Digital Timer Model 1529

Webasto

Feel the drive

Terminal Connections - Timer



A-Plug

- (8) Dashlight (optional)
- (*4) Battery positive or ignition
- (6) Battery positive
- (2) Battery positive
- (7) ON/OFF signal to heater
- (3) Operation/Fault Indicator light positive
- (5) Ground

A-Plug: AMP NO. 929 594-1
Webasto 24984A

Terminal: AMP No. 925 596-6
Webasto 497037

Recommended option for Coaches, Transit and Schoolbuses:

Connect pin *4 or C-Plug of adapter harness to ignition signal from vehicle.

Switching heater ON for instant heater operation with pin 4 connected to ignition. (Motorcoach, Transit and School bus applications)

With ignition ON:

Press flame button.

Heater is switched ON and continues to operate until the flame button is pressed again or ignition is switched OFF.

With ignition OFF:

Press flame button.

Heater is switched ON for the preset operating time.

NOTE: If the ignition is switched off while the heater is in operation, the remaining operating time of 5 minutes flashes on the display and the heater continues to operate for this period of time.

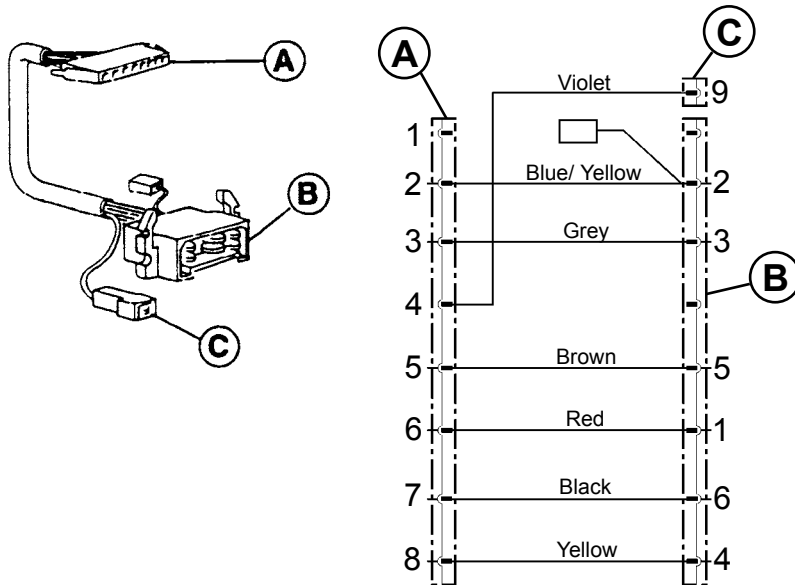
Installation Instructions

7-Day Digital Timer Model 1529

Webasto

Feel the drive

Adapter Harness Configured for Motorcoach, Transit and School Bus Applications



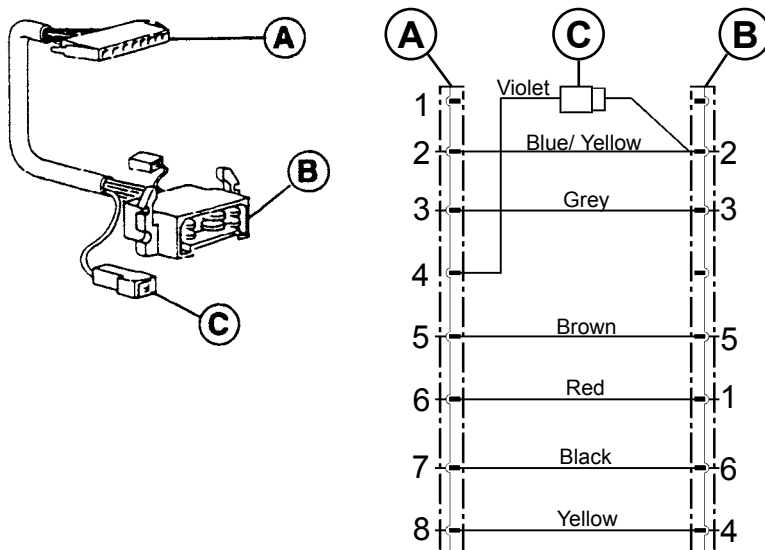
C-Plug

(9) Ignition Signal from Vehicle

B-Plug

- (2) 7.5 AMP Fuse: Battery positive
- (3) Operation/Fault Indicator Light positive
- (5) Ground
- (1) Battery positive
- (6) ON/OFF Signal to Heater
- (4) Dash Light (optional)

Adapter Harness Configured for Truck Installations



B-Plug

- (2) 7.5 AMP Fuse: Battery positive
- (3) Operation/Fault Indicator Light positive
- (5) Ground
- (1) Battery positive
- (6) ON/OFF Signal to Heater
- (4) Dash Light (optional)

Operation in Truck Mode:

Press Flame button
Heater is switched ON (continues operation) and continues to operate until flame button is pressed again switching heater OFF.